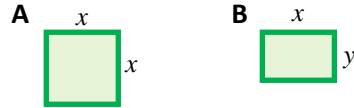
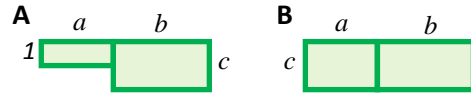


Match the algebraic expressions with their corresponding array models by placing A, B, C or D into the box

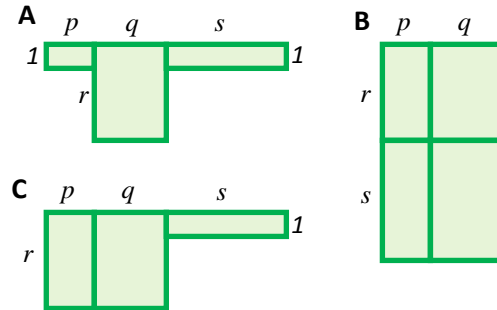
1. $x \times y = \square$
 $x^2 = \square$



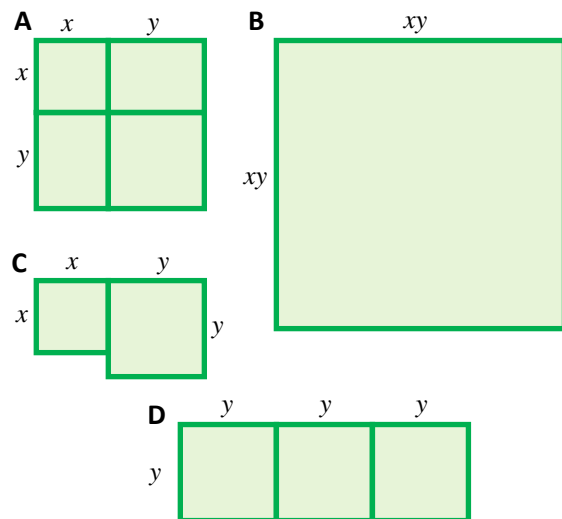
2. $a + b \times c = \square$
 $(a + b) \times c = \square$



3. $(p + q) \times (r + s) = \square$
 $p + q \times r + s = \square$
 $(p + q) \times r + s = \square$



4. $x^2 + y^2 = \square$
 $3 \times y^2 = \square$
 $(x \times y)^2 = \square$
 $(x + y)^2 = \square$



5. Is $x^2 + y^2 = (x + y)^2$? _____

Justify your answer: